

OVRHS3U

Sub Distribution and Panelboard – 400A and below



Product features

- UL Listed 1449 4th edition for Type 1 and Type 2 SPD applications.
- Individual fusing for each Metal Oxide Varistors (MOVs).
- LED indicates proper functioning of L-N and N-G MOVs.
- 3-year standard warranty.

Available configurations

Model number	kA per Phase	Voltage	Configuration
Type 1			
OVRHS3U401201P	40kA	120V	1-phase, 2-wire + ground
OVRHS3U401202S	40kA	120/240V	2-phase, 3-wire + ground
OVRHS3U402403D	40kA	240V	3-phase Delta, 4-wire + ground
OVRHS3U401203Y	40kA	120/208V	3-phase Wye, 4-wire + ground
Type 2			
OVRHS3U402401P	40kA	240V	1-phase, 2-wire + ground
OVRHS3U801202SR	80kA	120/240V	2-phase, 3-wire + ground
OVRHS3U404803D	40kA	480V	3-phase Delta, 3-wire + ground
OVRHS3U401203H	40kA	120/240V	3-phase High-Leg, 4-wire + ground
OVRHS3U402773Y	40kA	277/480V	3-phase Wye, 4-wire + ground
OVRHS3U402303Y	40kA	230/400V	3-phase Wye, 4-wire + ground

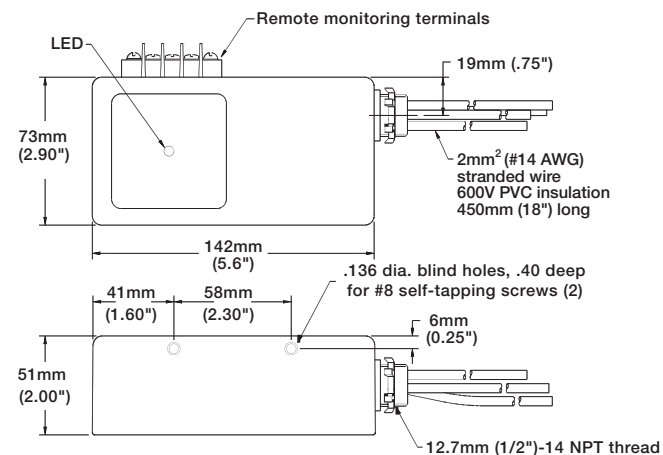
Product specifications

Electrical	
Nominal discharge current rating (I-n)	20kA
Operating frequency	47–63Hz
Connection methods	Parallel to load (shunt) 2mm ² (#14 AWG) wires
Modes of protection	Model dependent
Fault rating (SCCR)	100kAIC
Response time	Less than 1 nanosecond (one per phase)
Standard monitoring	LED status indicator lights
Mechanical	
Weight	.9 kg (2 lbs.)
Enclosure type	NEMA 1, non-metallic
Installation location	Indoor
Mounting method	12.7mm (1/2")–14 NPT thread (Aluminum bracket optional)
Operating environment	-40° to +80°C (-40° to +176°F)
Altitude	Up to 5000 m (16,400 ft.)
Product design	Individually fused MOVs
Regulatory	
UL 1449 4th edition	Type 1 and Type 2
UL 1283	Only for model number OVRHS3U801202SR
IEEE C62.41.1, .2, C62.45	Yes
Listed by	UL
Warranty	3-years

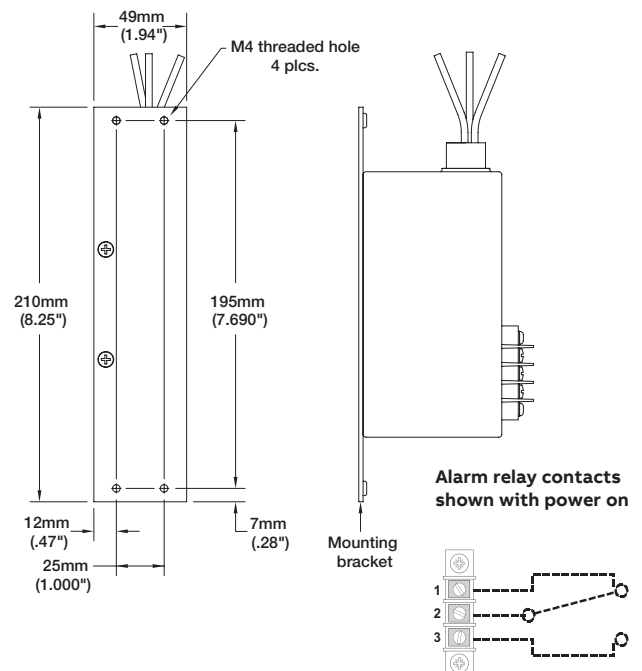
Available options*	Suffix number
(Not available on OVRHS3U801202SR unit)	
1 set of dry relay contacts (all models)	5
1 set of dry relay contacts + mounting bracket (only on OVRHS3U402401P and OVRHS3U402303Y models)	P

*Add applicable suffix to the end of Model number.
Example: OVRHS3U401201P5

DRY RELAY CONTACTS, 5 OPTION

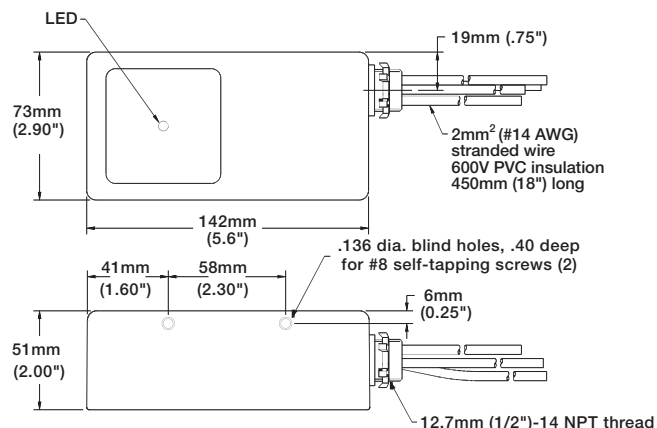


MOUNTING BRACKET AND DRY RELAY CONTACTS, P OPTION



Dimensional specifications

MODELS WITHOUT DRY RELAY CONTACTS



Performance data

Type 1 model number	Protection modes	MCOV	UL 1449 4th edition 6kV 3000A VPR
OVRHS3U401201P	L-N	150	800
	L-G	260	1000
	N-G	150	800
OVRHS3U401202S	L-N	150	800
	L-G	260	1000
	N-G	150	800
	L-L	260	1000
OVRHS3U402403D	L-G	260	1000
	L-L	260	1000
OVRHS3U401203Y	L-N	150	800
	L-G	260	1000
	N-G	150	800
	L-L	260	1000
Type 2 model number	Protection modes	MCOV	UL 1449 4th edition 6kV 3000A VPR
OVRHS3U402401P	L-N	320	1000
	L-G	640	2000
	N-G	320	1000
OVRHS3U801202SR	L-N	150	600
	L-G	150	800
	N-G	150	800
OVRHS3U404803D	L-L	276	1000
	L-G	600	2000
	L-L	600	2000
OVRHS3U401202H	L-N	150	800
	H-N	320	1000
	L-G	470	1500
	H-G	640	2000
	N-G	320	1000
	L-L	300	1000
	H-L	470	1500
OVRHS3U402773Y	L-N	320	1000
	L-G	600	2000
	N-G	320	1000
	L-L	600	2000
OVRHS3U402303Y	L-N	320	1000
	L-G	600	2000
	N-G	320	1000
	L-L	600	2000